









AVVOLGITUBI HOSE REELS



PER OLIO NUOVO FOR NEW OIL

							
		1304	1170	1171	1305	1172	1173
PRESSIONE D'ESERCIZIO / WORKING PRESSURE	BAR	60	60	60	60	60	60
PRESSIONE D'ESERCIZIO / WORKING PRESSURE	PSI	840	840	840	840	840	840
LUNGHEZZA TUBO HOSE LENGTH	m ft	—	10 33'	12 50'	—	10 33'	15 50'
Ø TUBO / DIAMETER HOSE		—	1/2"	1/2"	—	1/2"	1/2"
CONNESSIONE ENTRATA / INLET CONNECTION		3/8"-F	1/2"-M	1/2"-M	3/8"-F	1/2"-M	1/2"-M
CONNESSIONE USCITA / OUTLET CONNECTION		3/8"-M	1/2"-M	1/2"-M	3/8"-M	1/2"-M	1/2"-M
CAPACITA' MAX AVVOLGIMENTO 3/8" MAX WINDING CAPACITY 3/8"	m ft	15 50	—	—	18 60	—	—
PESO / WEIGHT	 KG	15	20	20	15	20	20
IMBALLO / SHIPPING DIMENSIONS	 mm	190 x 550 x 535			190 x 550 x 535		

PER GRASSO FOR GREASE

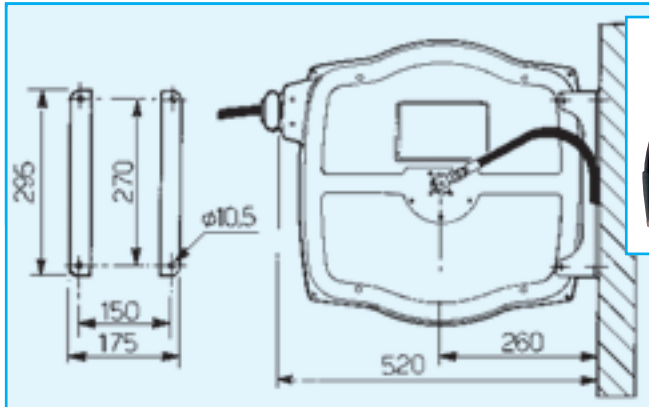
		1308	1064	1065	1309	1066	1067
PRESSIONE D'ESERCIZIO / WORKING PRESSURE	BAR	400	400	400	400	400	400
PRESSIONE D'ESERCIZIO / WORKING PRESSURE	PSI	5600	5600	5600	5600	5600	5600
LUNGHEZZA TUBO HOSE LENGTH	m ft	—	10 32'	15 50'	—	10 32'	15 50'
Ø TUBO / DIAMETER HOSE		—	1/4"	1/4"	—	1/4"	1/4"
CONNESSIONE ENTRATA / INLET CONNECTION		—	1/4" BSP/F	1/4" BSP/F	—	1/4" BSP/F	1/4" BSP/F
CONNESSIONE USCITA / OUTLET CONNECTION		—	1/4" BSP/M	1/4" BSP/M	—	1/4" BSP/M	1/4" BSP/M
CAPACITA' MAX AVVOLGIMENTO 1/4" MAX WINDING CAPACITY 1/4"	m ft	15 50	—	—	15 50	—	—
PESO / WEIGHT	 KG	15	20	20	15	20	20
IMBALLO / SHIPPING DIMENSIONS	 mm	190 x 550 x 535			190 x 550 x 535		

PER ARIA/ACQUA FOR AIR/WATER

		1304	1001	1002	1305	1003	1004
PRESSIONE D'ESERCIZIO / WORKING PRESSURE	BAR	60	18	18	60	18	18
PRESSIONE D'ESERCIZIO / WORKING PRESSURE	PSI	840	250	250	840	250	250
LUNGHEZZA TUBO HOSE LENGTH	m ft	—	10 32'	15 50'	—	10 32'	15 50'
Ø TUBO / DIAMETER HOSE		—	3/8"	3/8"	—	3/8"	3/8"
CONNESSIONE ENTRATA / INLET CONNECTION (BSP)		3/8-F	3/8-F	3/8-F	3/8-F	3/8-F	3/8-F
CONNESSIONE USCITA / OUTLET CONNECTION (BSP)		3/8-M	3/8-M	3/8-M	3/8-M	3/8-M	3/8-M
CAPACITA' MAX AVVOLGIMENTO 3/8" MAX WINDING CAPACITY 3/8"	m ft	15 50	—	—	15 50	—	—
PESO / WEIGHT	 KG	15	20	20	15	20	20
IMBALLO / SHIPPING DIMENSIONS	 mm	190 x 550 x 535			190 x 550 x 535		

I tubi di collegamento non sono inclusi
The connection hoses are not included

AVVOLGITUBI HOSE REELS

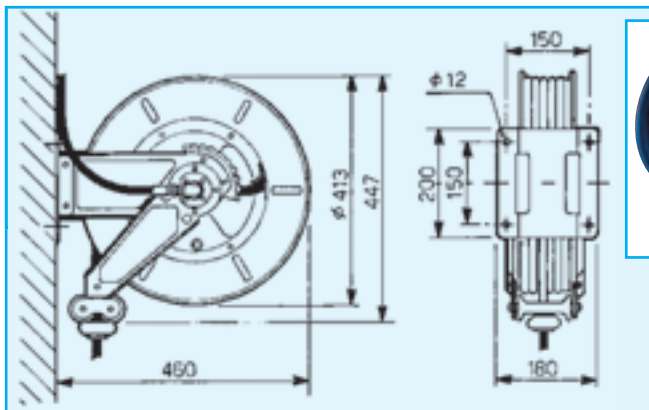


1304

Avvolgitubo chiuso senza tubo
Completo di staffa per fissaggio

*Closed hose reel without hose
Supplied with wall bracket*

Conf./Pack = 19x55x54 cm Peso/Weight = Kg 15



1305

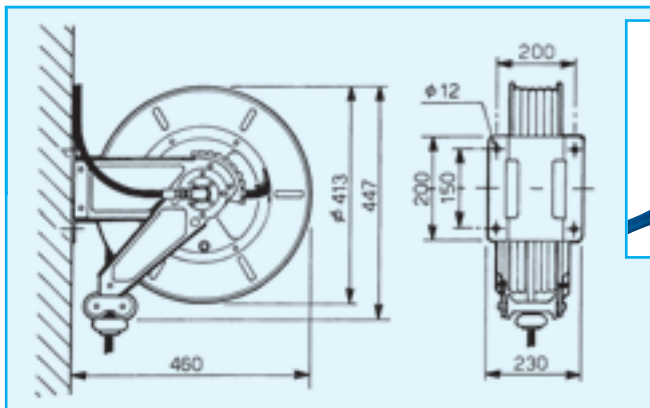
Avvolgitubo aperto senza tubo
Completo di staffa per fissaggio

*Open hose reel without hose
Supplied with wall bracket*

Conf./Pack = 19x55x54 cm Peso/Weight = Kg 15

I tubi di collegamento non sono inclusi
The connection hoses are not included

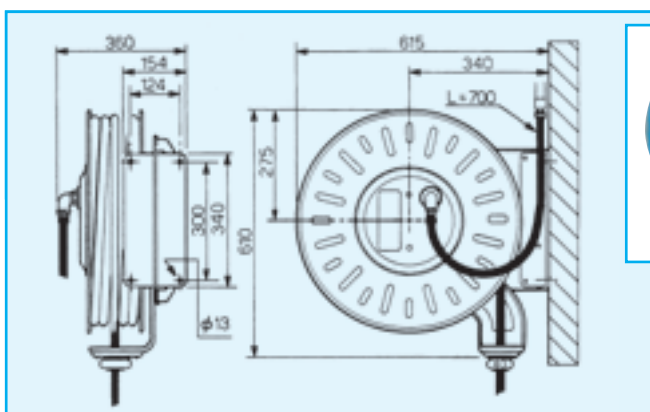
AVVOLGITUBI INOX STAINLESS STEEL HOSE REELS



1310

Avvolgitubo aperto senza tubo girevole / fisso
Completo di staffa per fissaggio



*Open hose reel fixed/swiveling without hose
Supplied with wall bracket*



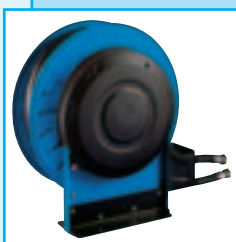
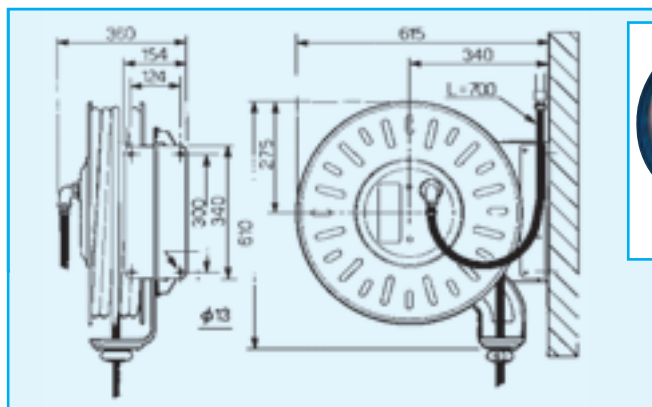
1311

Avvolgitubo aperto grande capacità senza tubo
Completo di staffa per fissaggio

*Open hose reel high capacity without hose
Supplied with wall bracket*

						
		1310	1145	1146	1311	1148
PRESSIONE D'ESERCIZIO / WORKING PRESSURE	BAR	–	400	400	–	400
PRESSIONE D'ESERCIZIO / WORKING PRESSURE	PSI	–	5600	5600	–	5600
LUNGHEZZA TUBO	mt	–	10	15	–	20
HOSE LENGTH	ft	–	33'	50'	–	66'
Ø TUBO / DIAMETER HOSE	—	–	3/8"	3/8"	–	3/8"
CONNESSIONE ENTRATA / INLET CONNECTION		1/2"	1/2"	1/2"	1/2"	1/2"
CONNESSIONE USCITA / OUTLET CONNECTION		1/2"	1/2"	1/2"	1/2"	1/2"
CAPACITA' MAX AVVOLGIMENTO 3/8"	m	15	–	–	–	–
MAX WINDING CAPACITY 3/8"	ft	50'	–	–	–	–
CAPACITA' MAX AVVOLGIMENTO 1/2"	m	–	–	–	30	–
MAX WINDING CAPACITY 1/2"	ft	–	–	–	100'	–
PESO / WEIGHT	KG	15	20	20	20	25
IMBALLO / SHIPPING DIMENSIONS		19 x 55 x 53,5 cm			25,5 x 55 x 53,5 cm	
		ANTIMACCHIA HYGIENIC			ANTIMACCHIA HYGIENIC	

AVVOLGITUBI ALTA PORTATA PER OLIO HIGH CAPACITY HIGH VOLUME HOSE REELS



1306

Avvolgitubo alta portata e grande capacità da 1/2" - 3/4" - 1" realizzati in acciaio verniciato - Forniti con e senza tubo. Completi di staffa per fissaggio

*High capacity (1/2") and high volume (3/4" - 1") hose reels made of heavy gauge powder coated steel - Heavy duty use supplied with or without hose
Supplied with wall bracket*

	ALTA PORTATA HIGH VOLUME		
	1306	1174	1175
PRESSIONE D'ESERCIZIO / WORKING PRESSURE BAR	18	60	60
PRESSIONE D'ESERCIZIO / WORKING PRESSURE PSI	250	840	840
LUNGHEZZA TUBO HOSE LENGTH	m ft	— 80'	30 100'
Ø TUBO / DIAMETER HOSE	—	1/2'	1/2'
LUNGHEZZA TUBO raccordo CONNECTING HOSE LENGTH	m ft	— 1,7'	0,5 1,7'
CONNESSIONE ENTRATA / INLET CONNECTION	—	1/2"-M	1/2"-F
CONNESSIONE USCITA / OUTLET CONNECTION	—	1/2"-F	1/2"-F
CAPACITA' MAX AVVOLGIMENTO 1/2" MAX WINDING CAPACITY 1/2"	m ft	30 100'	— —
CAPACITA' MAX AVVOLGIMENTO 3/4" MAX WINDING CAPACITY 3/4"	m ft	— —	— —
CAPACITA' MAX AVVOLGIMENTO 1" MAX WINDING CAPACITY 1"	m ft	— —	— —
PESO / WEIGHT	KG	34	45
IMBALLO / SHIPPING DIMENSIONS	cm	88 x 130 x 66	

	ALTA PORTATA HIGH VOLUME		
	1307	1176	1177
PRESSIONE D'ESERCIZIO / WORKING PRESSURE BAR	60	60	60
PRESSIONE D'ESERCIZIO / WORKING PRESSURE PSI	840	840	840
LUNGHEZZA TUBO HOSE LENGTH	m ft	— 50'	15 65'
Ø TUBO / DIAMETER HOSE	—	1"	3/4"
LUNGHEZZA TUBO raccordo CONNECTING HOSE LENGTH	m ft	— 1,7'	0,5 1,7'
CONNESSIONE ENTRATA / INLET CONNECTION	—	1"-M	1"-F
CONNESSIONE USCITA / OUTLET CONNECTION	—	3/4"-F	1"-F
CAPACITA' MAX AVVOLGIMENTO 1/2" MAX WINDING CAPACITY 1/2"	m ft	— —	— —
CAPACITA' MAX AVVOLGIMENTO 3/4" MAX WINDING CAPACITY 3/4"	m ft	20 65'	— —
CAPACITA' MAX AVVOLGIMENTO 1" MAX WINDING CAPACITY 1"	m ft	15 50'	— —
PESO / WEIGHT	KG	34	45
IMBALLO / SHIPPING DIMENSIONS	cm	88 x 130 x 66	

NOTA: I modelli 1174 - 1175 - 1176 - 1177 sono completi di tubi di collegamento
ATTENTION: The models 1174 - 1175 - 1176 - 1177 include connecting hose



AVVOLGITUBI VARI AUTOMATIC REELS



AVVOLGITUBI ARIA		BAR Max	Diametro	Lughezza	Dimensioni	Peso
1005		10	6 x 10 mm	10 mt	27,5x27,5x19	5,0 Kg
1006		10	8 x 12 mm	9 mt	28,8x28,8x21,3	5,0 Kg
1008		10	8 x 12 mm	15 mt	38x39x25	6,5 Kg
1009		10	10 x 15 mm	10 mt	38x39x25	6,5 Kg
1010		10	8 x 12 mm	12 mt	36x33x20	4,4 Kg
1011		10	6 x 10 mm	15 mt	36x33x20	4,4 Kg
PROLUNGHE ELETTRICHE / ELECTRIC EXTENSIONS		N x mm²				
1435	Reel power 220/15	2 x 1,0 mm		15 mt	27,5x27,5x19	5,0 Kg
1436	Reel power 220/10 TUV	3 x 1,5 mm		10 mt	27,5x27,5x19	5,0 Kg
1437	Reel power 220/10 Schuko TUV	3 x 1,5 mm		10 mt	27,5x27,5x19	5,0 Kg
1438	Reel compact 220/20	2 x 1,5 mm		20 mt	36x33x20	4,5 Kg
1439	Reel compact 220/18 TUV	3 x 1,5 mm		18 mt	36x33x20	4,8 Kg
NEON / NEON						
1440	Reel neon 220/15	2 x 1 mm		15 mt	28,8x28,8x28,5	5,0 Kg
2441	Reel neon 24 volt	2 x 1 mm		15 mt	28,8x28,8x25,5	5,0 Kg
1443	Reel compact neon 24 volt	2 x 1 mm		20 mt	36x33x30	5,7 Kg
LAMPADIE / LAMPS						
1444	Reel lamp 220/15	2 x 1 mm		15 mt	28,8x28,8x28,5	5,0 Kg
1445	Reel lamp 12 V	2 x 1 mm		15 mt	28,8x28,8x28,5	7,2 Kg
1446	Reel lamp 24 V	2 x 1 mm		15 mt	28,8x28,8x28,5	7,2 Kg
1447	Reel lamp compact 220 V	2 x 1 mm		20 mt	36x33x30	5,0 Kg
1448	Reel lamp compact 12 V	2 x 1 mm		20 mt	36x33x30	6,1 Kg
1449	Reel lamp compact 24 V	2 x 1 mm		20 mt	36x33x30	6,1 Kg

AVVOLGITUBI VARI AUTOMATIC REELS



ACCESSORI / ACCESSORIES

1434

Lampada portatile con 10 mt di cavo - 11 W

Neon portable lamp with 10 mt cable - 11 W

Conf./Pack = 00

Peso/Weight = Kg 00



ACQUA / WATER

1153

Avvolgitori acqua manuale 20 mt - Ø 1/2"

Manual reel for water 20 mt - Ø 1/2"

Conf./Pack = 33x47,5x54 cm

Peso/Weight = Kg 10

